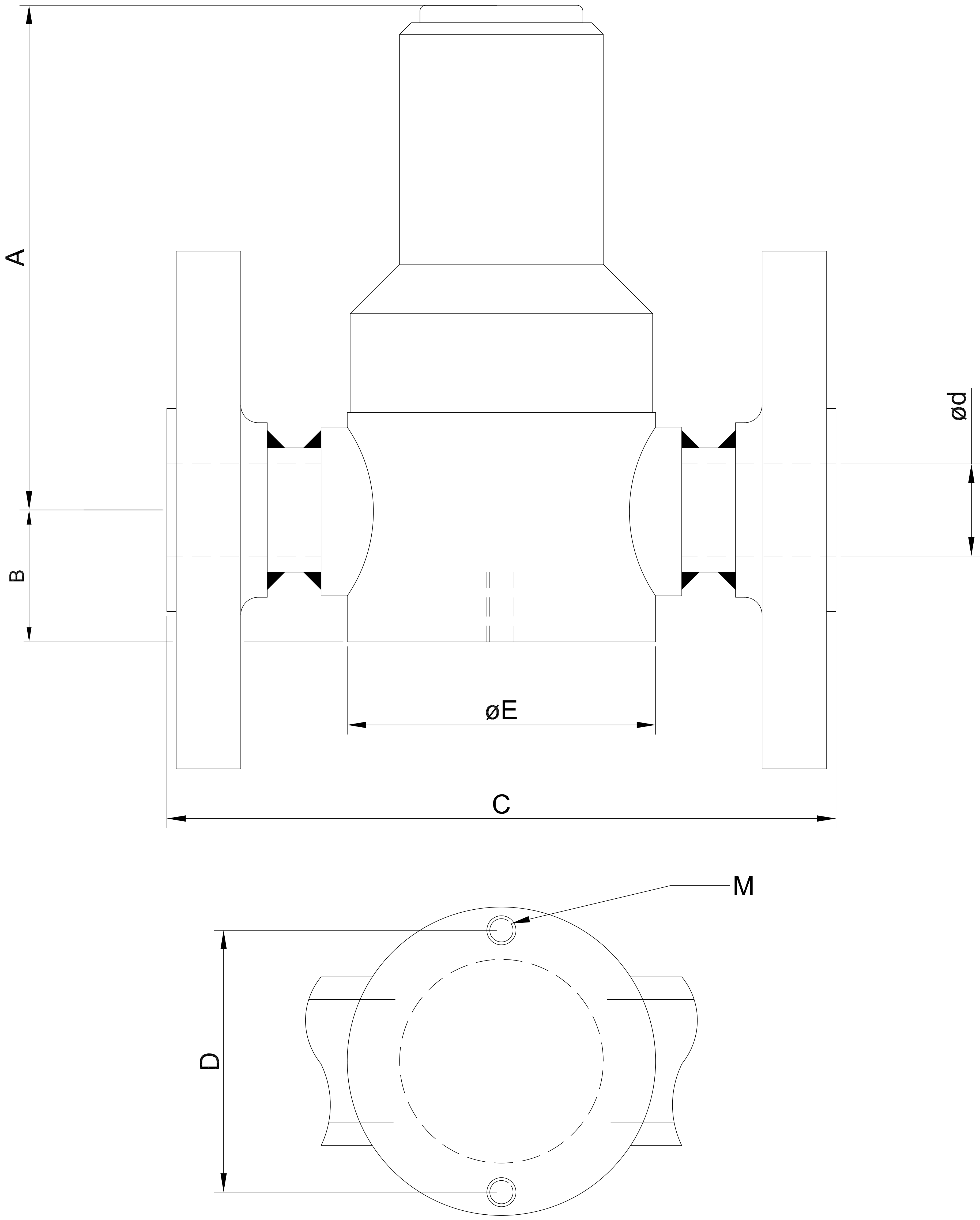


© THIS DRAWING IS THE PROPERTY OF PROCHEM SERVICES AND CANNOT BE REPRODUCED OR USED WITHOUT THE COMPANIES EXPRESS PERMISSION.



OD	d		A	B	C	D	E	M
	DN	NB						
	10	3/8"						
	15	1/2"	88	22	113	45	52	M5
	20	3/4"	105	33	124	50	64	M5
	25	1"	108	35	138	65	79	M6
	32	1 1/4"	116	42	157	70	89	M6
	40	1 1/2"	140	46	186	80	109	M6
	50	2"	156	57	216	100	128	M6

ALL DIMENSIONS IN mm UNLESS OTHERWISE STATED.  
 DIMENSION 'C' ± 1.0mm ALL OTHERS ± 0.5mm.  
 STAINLESS STEEL VALVES HAVE INTEGRAL WELDED FLANGES.  
 EXOTIC METAL VALVES HAVE STUB FLANGES WITH 304 STAINLESS STEEL BACKING FLANGES.  
 FLANGE DRILLINGS AS PER ORDER SPECIFICATION. I.E ANSI/ PN.

DRAWN	RB	DATE	19.09.12
REV		REV	
REV		REV	

<b>PROCHEM SERVICES LTD</b>	
CONGLETON, CHESHIRE, CW12 2AD, ENGLAND	
DRAWING No. <b>PS/97/566</b>	REV 0
SUBJECT 1100 SERIES OUTLINE METAL CONSTRUCTION - FLANGED	