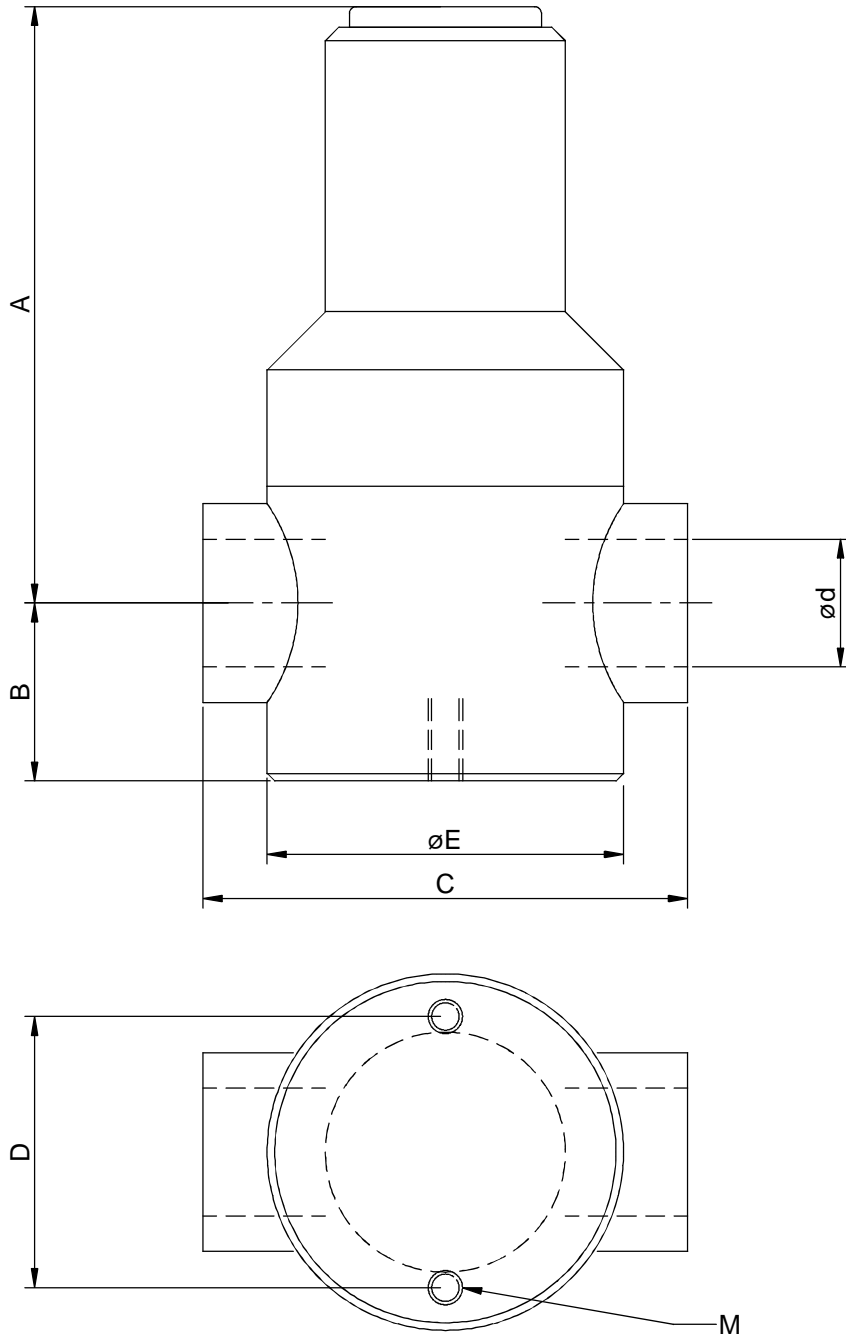


© THIS DRAWING IS THE PROPERTY OF PROCHEM SERVICES AND CANNOT BE REPRODUCED OR USED WITHOUT THE COMPANIES EXPRESS PERMISSION.



d			A	B	C	D	E	M
OD	DN	NB						
16	10	3/8"	85	26	72	40	52	M5
20	15	1/2"	85	26	72	40	52	M5
25	20	3/4"	102	33	105	50	64	M5
32	25	1"	105	35	118	60	79	M6
40	32	1 1/4"	113	42	140	70	89	M6
50	41	1 1/2"	137	46	154	80	109	M6
63	50	2"	153	57	194	100	128	M6

ALL DIMENSIONS IN mm UNLESS OTHERWISE STATED.

DIMENSION 'C' ± 2.0mm ALL OTHERS ± 0.5mm.

**PROCHEM SERVICES LTD**

CONGLETON, CHESHIRE, CW12 2AD, ENGLAND

**DRAWING No. PS/92/245** REV 0

SUBJECT 1100 SERIES OUTLINE SOLVENT WELD CONNECTIONS - PLASTIC

DRAWN RB DATE 02.01.13

REV REV

REV REV