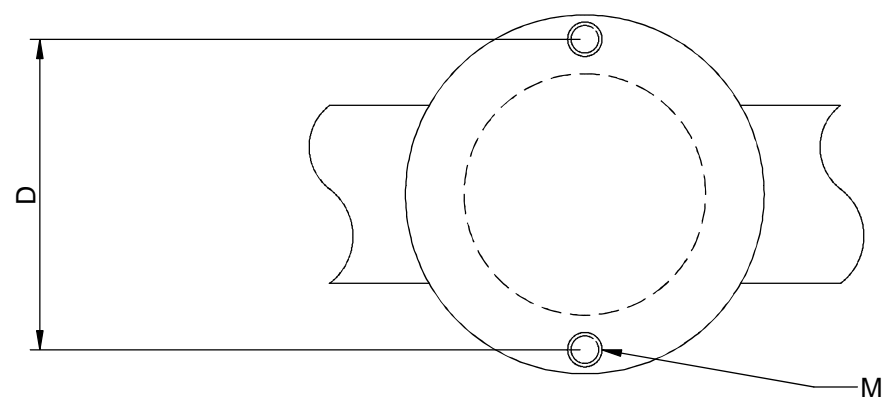
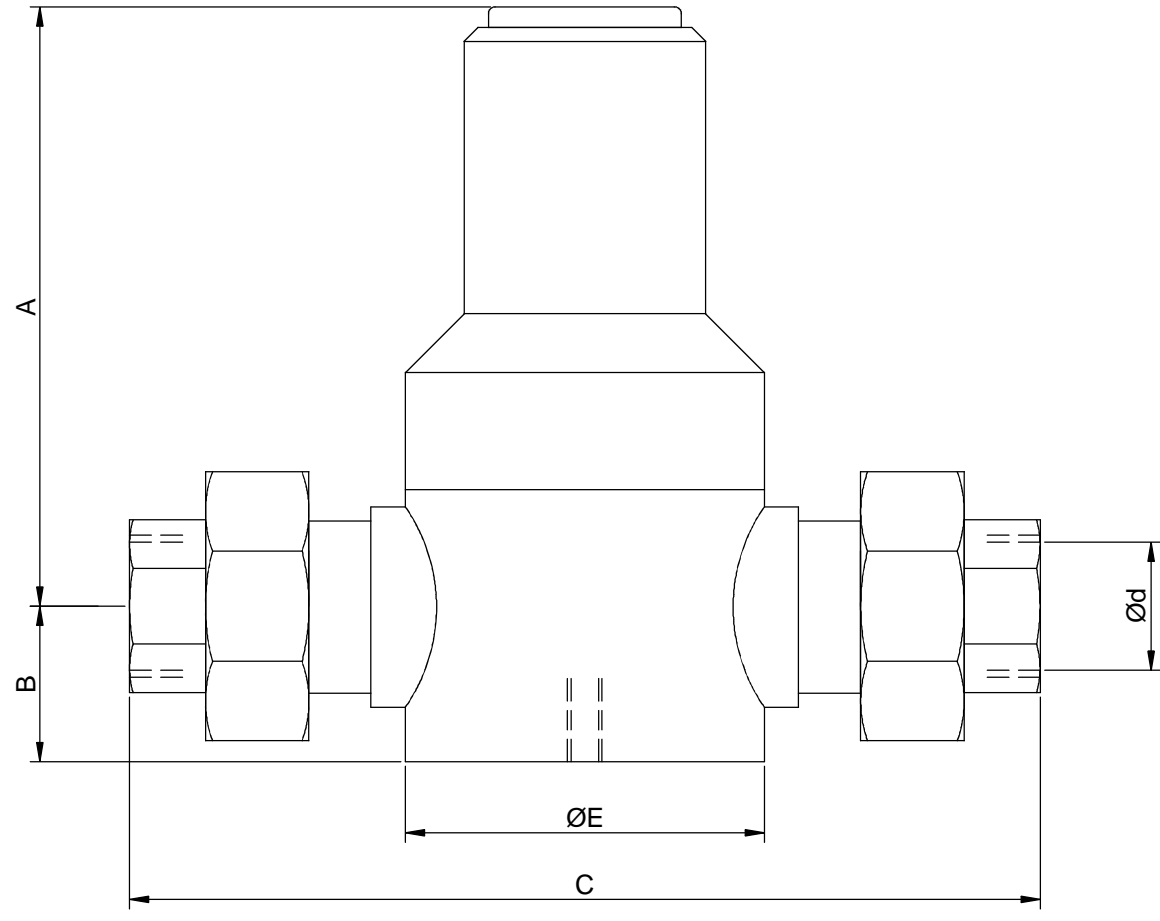


© THIS DRAWING IS THE PROPERTY OF PROCHEM SERVICES AND CANNOT BE REPRODUCED OR USED WITHOUT THE COMPANIES EXPRESS PERMISSION.



d			A	B	C	D	E	M
OD	DN	NB						
16	10	3/8"	85	22	130	45	52	M5
20	15	1/2"	85	22	132	45	52	M5
25	20	3/4"	-	-	-	-	-	-
32	25	1"	-	-	-	-	-	-
40	32	1 1/4"	-	-	-	-	-	-
50	41	1 1/2"	-	-	-	-	-	-
63	50	2"	-	-	-	-	-	-

ALL DIMENSIONS IN mm UNLESS OTHERWISE STATED.

DIMENSION 'C' ± 2.0mm ALL OTHERS ± 0.5mm.

PROCHEM SERVICES LTD	
CONGLETON, CHESHIRE, CW12 2AD, ENGLAND	
DRAWING No. PS/13/999	REV 0
SUBJECT 1100 SERIES METAL UNION CONNECTIONS	

DRAWN	RB	DATE	04.06.13
REV		REV	
REV		REV	