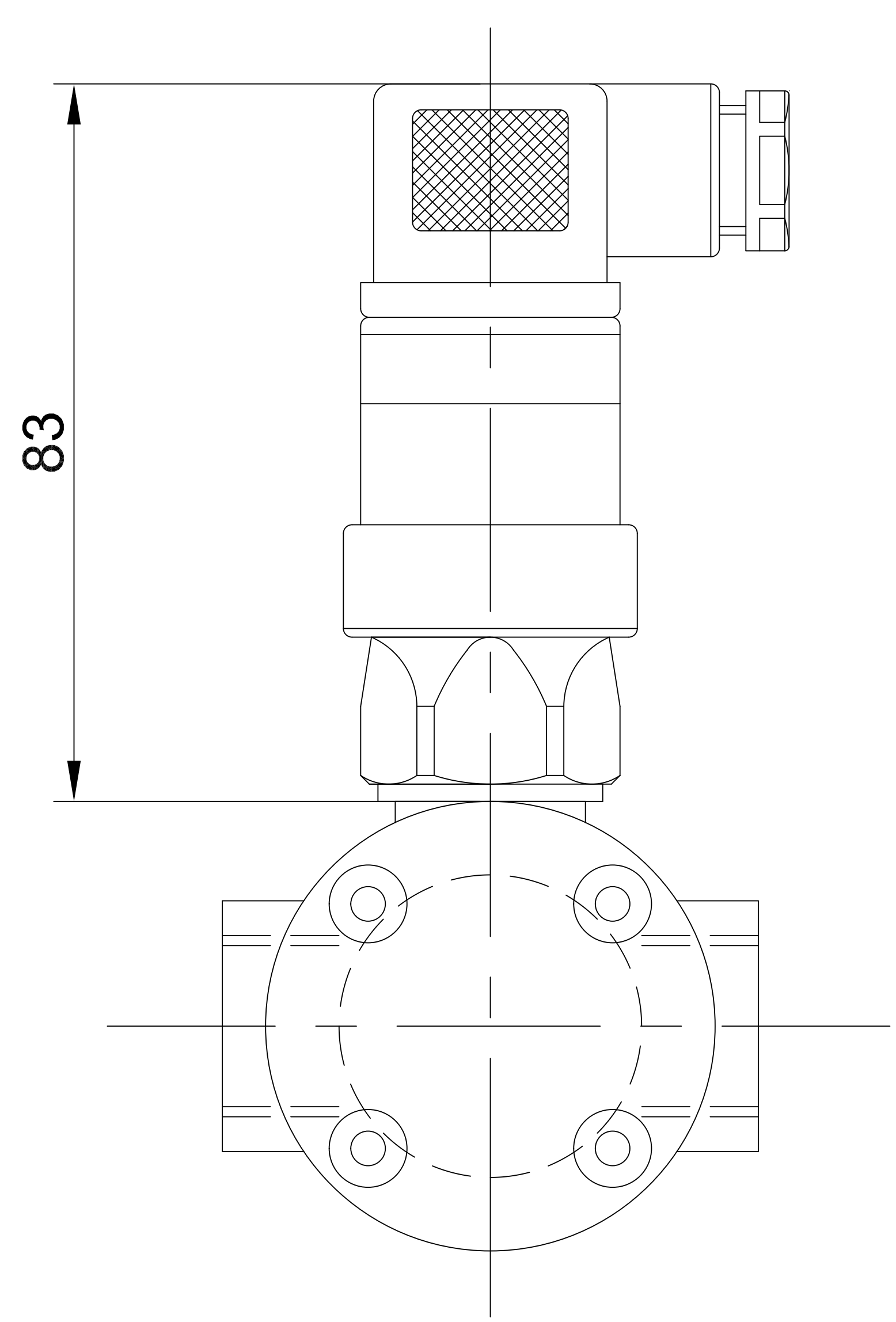
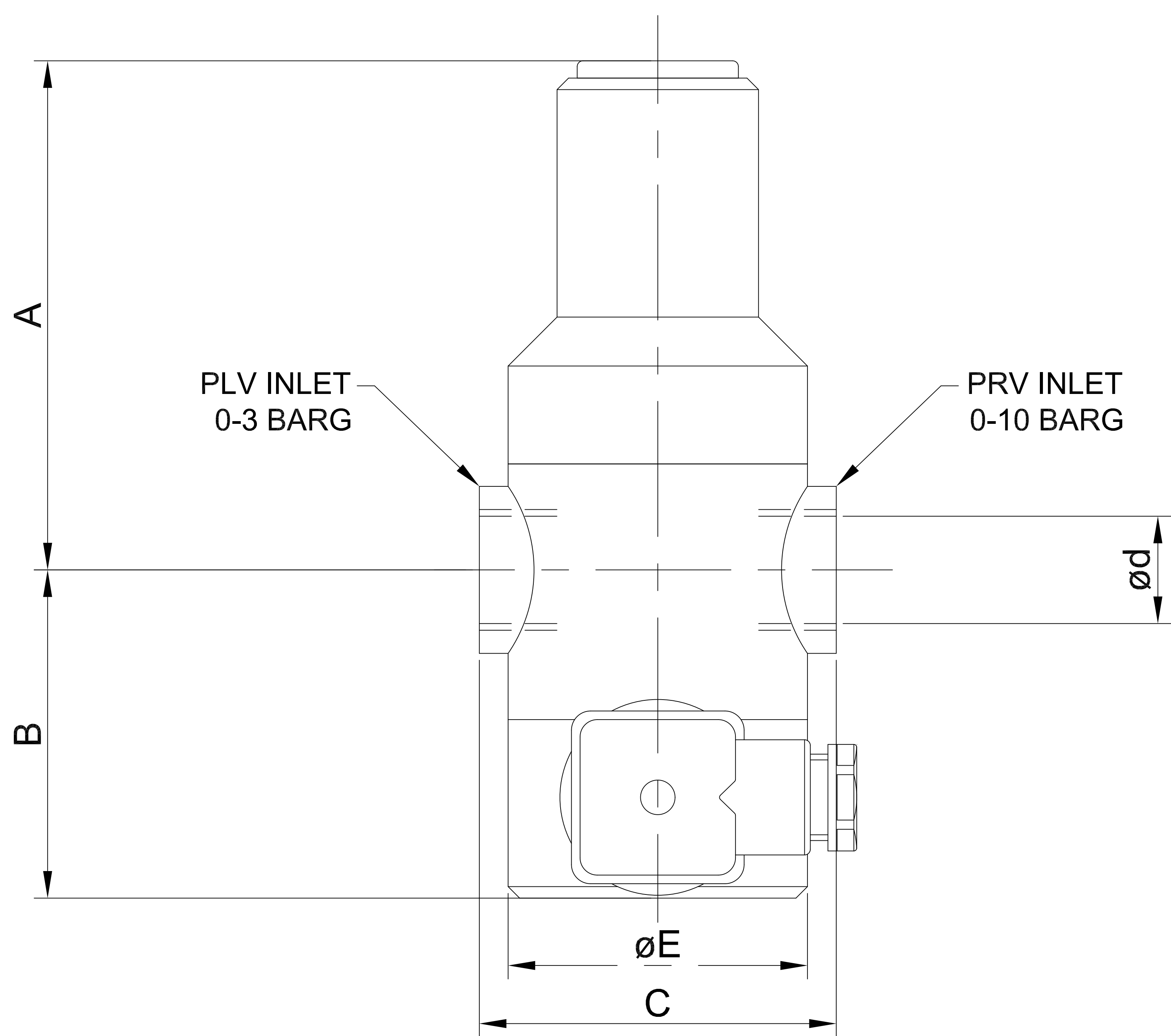


© THIS DRAWING IS THE PROPERTY OF PROCHEM SERVICES AND CANNOT BE REPRODUCED OR USED WITHOUT THE COMPANIES EXPRESS PERMISSION.



		ød	A	B	C	D	E	F
O.D	DN	NB						
16	10	3/8"	88	54	72	—	52	
20	15	1/2"	88	54	72	—	52	
25	20	3/4"	105	67	86	—	64	
32	25	1"	108	67	102	—	79	
40	32	1 1/4"	116	76	123	—	89	
50	40	1 1/2"	140	80	140	—	109	
63	50	2"	156	91	163	—	126	

PLUG POSITION SHOWN AT 90° FOR CLARITY.

SWITCH ORIENTATION IS SUPPLIED AS SHOWN UNLESS OPPOSITE IS REQUESTED.

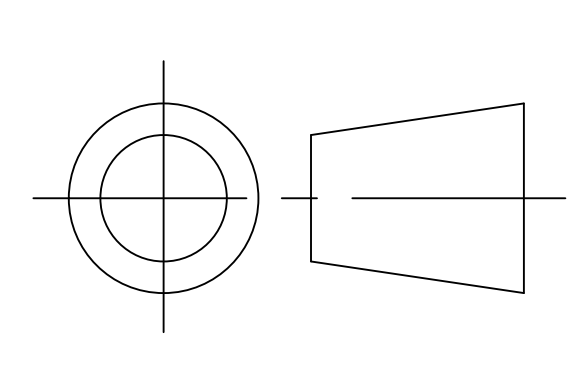
VALVES DO NOT HAVE HOLD DOWN FIXED SCREWS IN THIS CONFIGURATION.

SWITCH DIAPHRAGM HOUSING ASSEMBLY IS PVC WITH DIAPHRAGM MATERIAL TO MATCH VALVE DIAPHRAGM.

ALL DIMENSIONS IN MM UNLESS OTHERWISE STATED.

TOLERANCES: ± 0.5 UNLESS STATED
DIMENSION 'C' ± 1.00 MM

SWITCH RATING 250 V/4A



PROCHEM SERVICES LTD CONGLETON, CHESHIRE, CW12 2AD, ENGLAND	
DRAWING No. PS/12/968	REV 0
SUBJECT 1100 SERIES WITH DIN PRESSURE SENSOR - METAL SCREWED	

DRAWN	RB	DATE	27.09.12
REV		REV	
REV		REV	