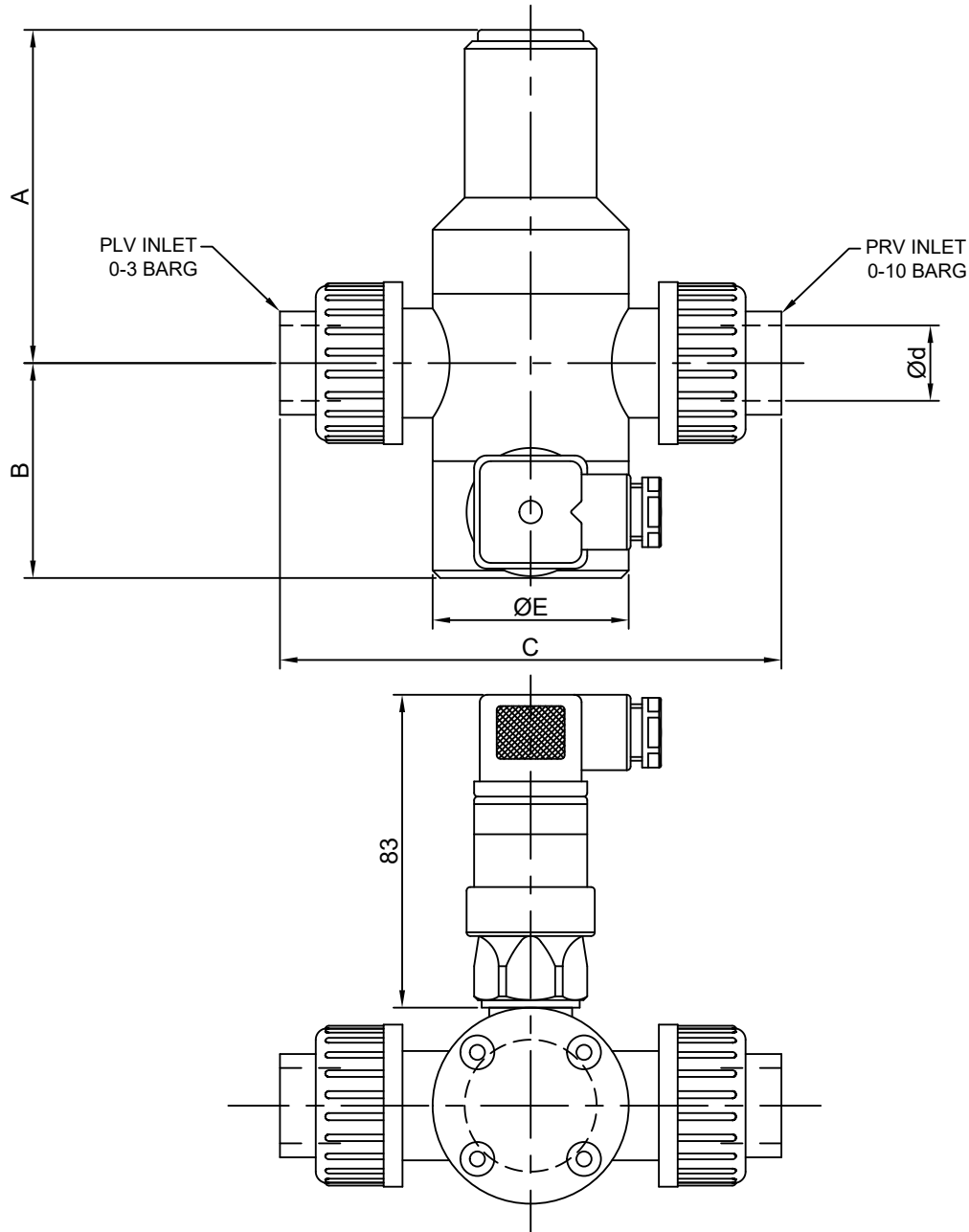


© THIS DRAWING IS THE PROPERTY OF PROCHEM SERVICES AND CANNOT BE REPRODUCED OR USED WITHOUT THE COMPANIES EXPRESS PERMISSION.



Ød			A	B	C	D	E	F
O.D	DN	NB						
16	10	3/8"	88	54	126	—	52	
20	15	1/2"	88	58	134	—	52	
25	20	3/4"	105	65	154	—	64	
32	25	1"	108	67	176	—	79	
40	32	1 1/4"	116	74	210	—	89	
50	40	1 1/2"	149	78	232	—	109	
63	50	2"	161	89	290	—	126	

SWITCH RATING 250 V/4A

PLUG POSITION SHOWN AT 90° FOR CLARITY.

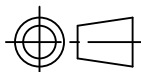
SWITCH ORIENTATION IS SUPPLIED AS SHOWN UNLESS OPPOSITE IS REQUESTED.

VALVES DO NOT HAVE HOLD DOWN FIXED SCREWS IN THIS CONFIGURATION.

SWITCH DIAPHRAGM HOUSING ASSEMBLY IS PVC WITH DIAPHRAGM MATERIAL TO MATCH VALVE DIAPHRAGM.

ALL DIMENSIONS IN MM UNLESS OTHERWISE STATED.

TOLERANCES: ± 0.5 UNLESS STATED
DIMENSION 'C' ± 1.00 MM



PROCHEM SERVICES LTD CONGLETON, CHESHIRE, CW12 2AD, ENGLAND	
DRAWING No. PS/12/964	REV 1
SUBJECT 1100 SERIES WITH DIN PRESSURE SENSOR - PVC/ABS UNION CONNECTIONS	

	DRAWN	RB	DATE	25.09.12
REV 1	63 & 50 A DIM CHANGED		REV	
REV			REV	