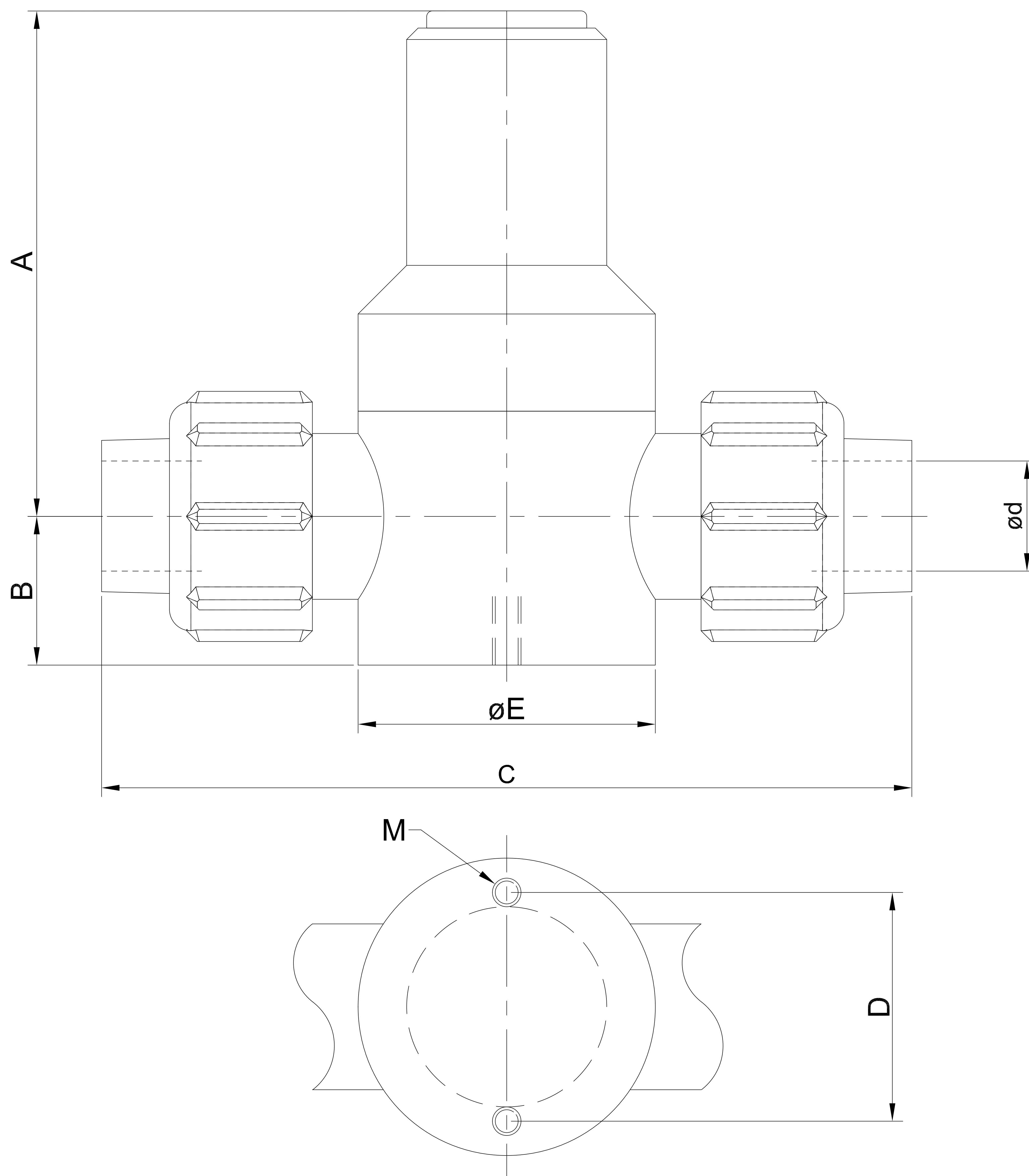


© THIS DRAWING IS THE PROPERTY OF PROCHEM SERVICES AND CANNOT BE REPRODUCED OR USED WITHOUT THE COMPANIES EXPRESS PERMISSION.



		ød		A	B	C	D	E	F	M
O.D	DN	NB								
16	10	3/8"		88	26	126	40	52		M5
20	15	1/2"		88	26	134	40	52		M5
25	20	3/4"		105	33	154	50	64		M5
32	25	1"		108	35	176	60	79		M6
40	32	1 1/4"		116	42	210	70	89		M6
50	40	1 1/2"		140	46	232	80	109		M6
63	50	2"		156	57	290	100	126		M6

TOLERANCES: +/- 0.5 MM UNLESS STATED  
 DIMENSION 'C' +/- 1.00 MM

ALL DIMENSIONS IN MM UNLESS OTHERWISE STATED

<b>PROCHEM SERVICES LTD</b>	
CONGLETON, CHESHIRE, CW12 2AD, ENGLAND	
DRAWING No. <b>PS/12/961</b>	REV 0
SUBJECT 1100 SERIES OUTLINE UNION CONNECTIONS PP/ PVDF	

DRAWN	RB	DATE	24.09.12
REV		REV	
REV		REV	