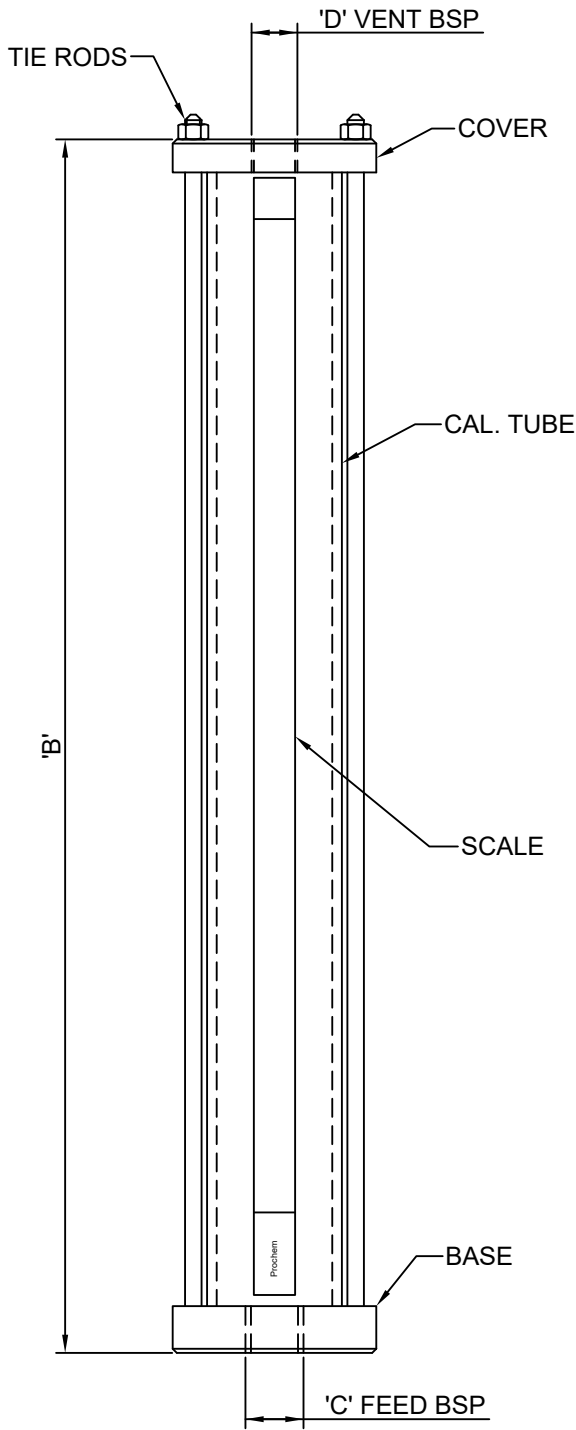


© THIS DRAWING IS THE PROPERTY OF PROCHEM SERVICES AND CANNOT BE REPRODUCED OR USED WITHOUT THE COMPANIES EXPRESS PERMISSION.



CAP.	A	B	C	D
0.05	50	300	1/4"	1/4"
0.125	60	308	3/8"	3/8"
0.25	74	260	1/2"	1/2"
0.5	74	441		
1.0	101	340		
2.0	107	533	↓	↓
2.5	138	420	1"	1"
3.0	138	488		
4.0	138	624		
5.0	138	759		
7.5	170	724		
10.0	170	940		
15.0	190	1104		
20.0	190	1445		
25.0	240	1054		
30.0	240	1248		
35.0	266	1137		
40.0	266	1287	↓	↓
COMPACT OPTIONS				
5.0	177	509	1"	1"
7.5	190	590		
10.0	190	762		
15.0	266	530		
20.0	266	680	↓	↓

1. TOLERANCES ± 2mm.
2. SEALS ARE FPM OR EPDM. OTHERS AVAILABLE ON REQUEST.
3. SCALES ARE ADHESIVE VINYL UP TO 2.0 LTR. 2.5 LTR AND ABOVE ARE TRAFFOLYTE. ALL IN CC/LTRS.
4. 7.5LTR STANDARD AND ABOVE INCLUDING ALL COMPACT VERSIONS HAVE 6 TIE RODS.
5. VARIANTS OF SIZE AND CONNECTIONS AVAILABLE ON REQUEST. E.G FLANGE CONNECTIONS.

ALL DIMENSIONS IN MM UNLESS STATED

PROCHEM SERVICES LTD	
CONGLETON, CHESHIRE, CW12 2AD, ENGLAND	
DRAWING No. PS/00/684	REV 1
SUBJECT METAL/GLASS CALIPOT OUTLINE. SCREWED CONNECTIONS.	

DRAWN	RB	DATE	24.11.14
REV 1	ADDED SIZES & MATCHED CONNS	REV	
REV		REV	